

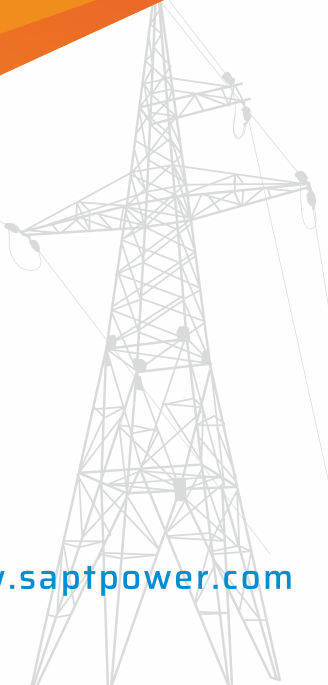


INNOVATING POWER SOLUTIONS

# Uninterrupted Power Supply (UPS)

Uninterrupted Energy, Unstoppable You!

 [www.saptpower.com](http://www.saptpower.com)





# powerXcel ELITE

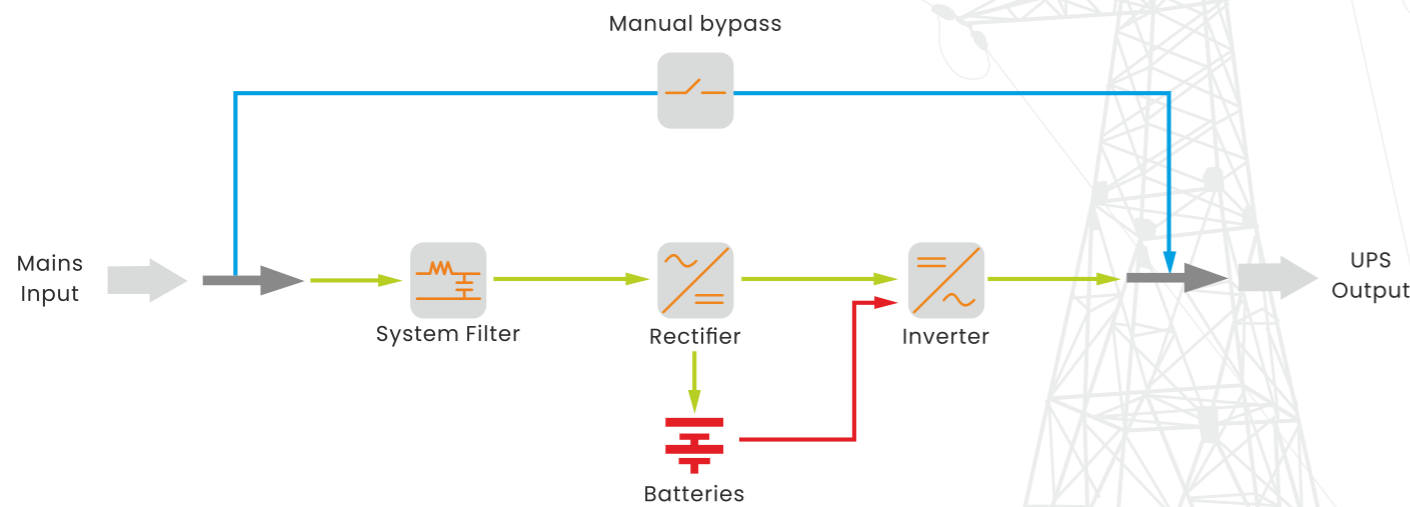
## 3kVA - 10kVA (1:1)

SAPT presents the **PowerXcel ELITE Series**, a **high-performance, single-phase online UPS** with a **built-in isolation transformer**, and **modular IGBT-based Rectifier and inverter**.

Designed for **critical applications**, this UPS ensures **pure, stable, and noise-free power**, offering superior protection for sensitive electronic equipment.

## FEATURES

- True Online Double Conversion Technology
- Fully Digital Signal Processing using the latest DSP Technology
- Wide Input Voltage Range
- Compatible with Engine Generator
- LCD/LED Display
- IGBT Inverter with Multiloop Control
- Output Isolation Between UPS and Critical Load
- Wheel Desing for easy movement and relocation
- Compact and Versatile Desing



This diagram illustrates the working principle of an Online UPS, showcasing **AC input, Rectifier, Battery, Inverter, and Load Output** connections with **manual bypass**.

## SPECIFICATION

Capacity	kVA	3 kVA	5 kVA	7.5 kVA	10 kVA
	kW	2.4 kW	4 kW	6 kW	8 kW
	Type	Low Frequency Isolation Transformer Based			
Input	Phase	Single Phase (1P+N)			
	Input Voltage Range	230V AC ± 25%			
	Input Frequency	50Hz ± 5%			
	Input Ripple	<5%			
	Soft Start	0~100% 5 Second			
	Output	Nominal Voltage	220/230/240V AC, (1P+N)		
Regulation		±1% for Linear & Non-Linear Load			
Output Frequency		50Hz ± 0.5%			
Crest Factor		>3:1			
Power Factor		0.8			
Output THD		Linear Load < 3%, Non-Linear Load < 5%			
Efficiency		Up to 90% (Full Load)			
Batteries		DC Voltage	96	180	180
	Number of Battery	8	15		
	Charging Current	1-10 Amp (Settable)			
Bypass	Phase	Single Phase (1P+N)			
	Manual	Maintenance Bypass Switch Provided			
	Static	No Break (Optional)			
Protection	Input Protection	Input Voltage, Frequency Under/Over limit Protection			
	Output Protection	Over Current, Short-Circuit, Over/Under Voltage			
	Battery Protection	Over Charge, Over Discharge Protection			
	Temperature	Inverter Over Temperature Protection			
	Working Environment	Temp: 10~55 C, Relative Humidity : 30~90%			
General Parameter	Display	LCD + Physical Button			
	Alarm	Low Battery, Abnormal AC Input, UPS Failure, etc.			
	Noise (dB)	<55			
	Dimensions (L*W*H)	412*254*528		586*304*561	
	Weight (kg)	44	52	77	87

### Applications

Industrial	Process	Machines	Pharma	Printing	Textile
Plastic	Chemical	Aerospace	Commercial	IT	Transport

## SPECIFICATION

Capacity	kVA	10	15	20	30
	kW	8	12	16	24
	Type	Low Frequency Isolation Transformer Based			
Input	Phase	Three Phase (3P+N)			
	Input Voltage Range	415V AC ± 25%			
	Input Frequency	50Hz ± 5%			
	Input Ripple	<5%			
	Soft Start	0~100% 5 Second			
	Output	Nominal Voltage	220/230/240V AC, (1P+N)		
Regulation		±1% for Linear & Non-Linear Load			
Output Frequency		50Hz ± 0.5%			
Crest Factor		>3:1			
Power Factor		0.8			
Output THD		Linear Load < 3%, Non-Linear Load < 5%			
Efficiency		Up to 85% (Full Load)			
Batteries	DC Voltage	360			
	Number of Battery	30			
	Charging Current	1-10 Amp (Settable)			
Bypass	Phase	Single Phase (1P+N)			
	Manual	Maintenance Bypass Switch Provided			
	Static	No Break (Optional)			
Protection	Input Protection	Input Voltage, Frequency Under/Over limit Protection			
	Output Protection	Over Current, Short-Circuit, Over/Under Voltage			
	Battery Protection	Over Charge, Over Discharge Protection			
	Temperature	Inverter Over Temperature Protection			
General Parameter	Working Environment	Temp: 10-55° C, Relative Humidity : 30-90%			
	Display	LCD + Physical Button			
	Alarm	Low Battery, Abnormal AC Input, UPS Failure, etc.			
	Noise (dB)	<55			
	Dimensions (L*W*H)	690*386*719	689*387*856	779*412*1001	
	Weight (kg)	100	116	142	214

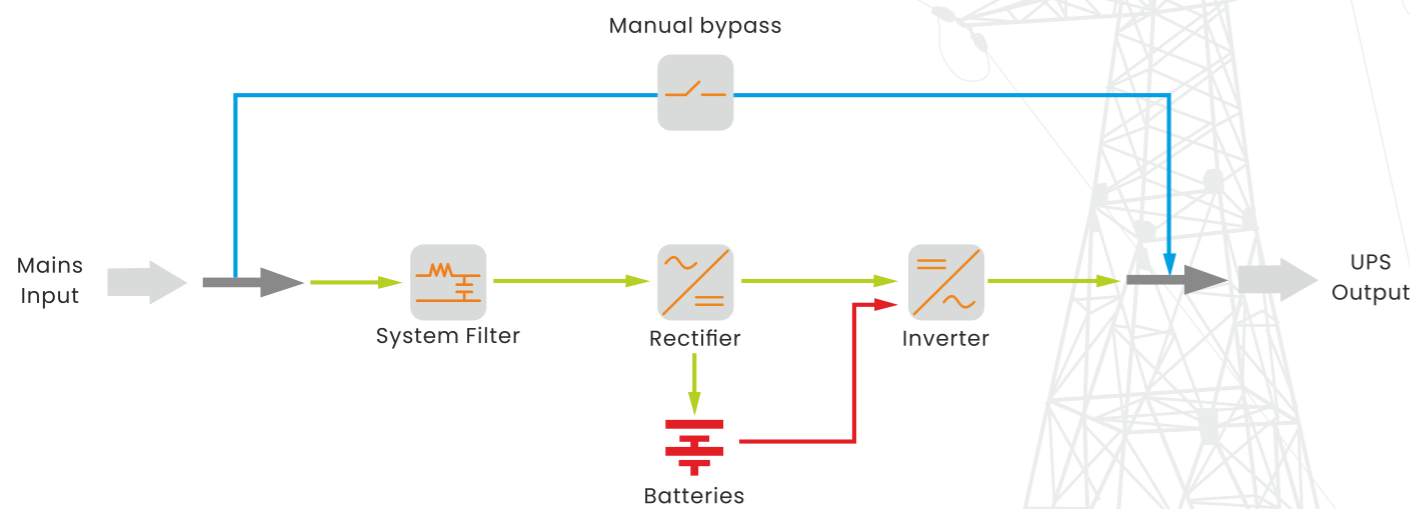
## 10kVA - 30kVA (3:1)

SAPT introduces the **PowerXcel NOVA Series**, a **robust and reliable 3-Phase Input, 1-Phase Output Online UPS** with a **built-in isolation transformer, SCR-based rectifier, and IGBT-based inverter.**

Designed for **critical applications**, this UPS offers **stable, noise-free, and high-quality power**, ensuring complete protection for sensitive equipment and industrial loads.

## FEATURES

- True Online Double Conversion Technology
- Fully Digital Signal Processing using the latest DSP Technology
- Wide Input Voltage Range
- Compatible with Engine Generator
- LCD/LED Display
- IGBT Inverter with Multiloop Control
- Output Isolation Between UPS and Critical Load
- Wheel Desing for easy movement and relocation
- Compact and Versatile Desing



This diagram illustrates the working principle of an Online UPS, showcasing **AC input, Rectifier, Battery, Inverter, and Load Output** connections with **manual bypass**.

### Applications

Industrial	Process	Machines	Pharma	Printing	Textile
Plastic	Chemical	Aerospace	Commercial	IT	Transport

## powerXcel ENERGI

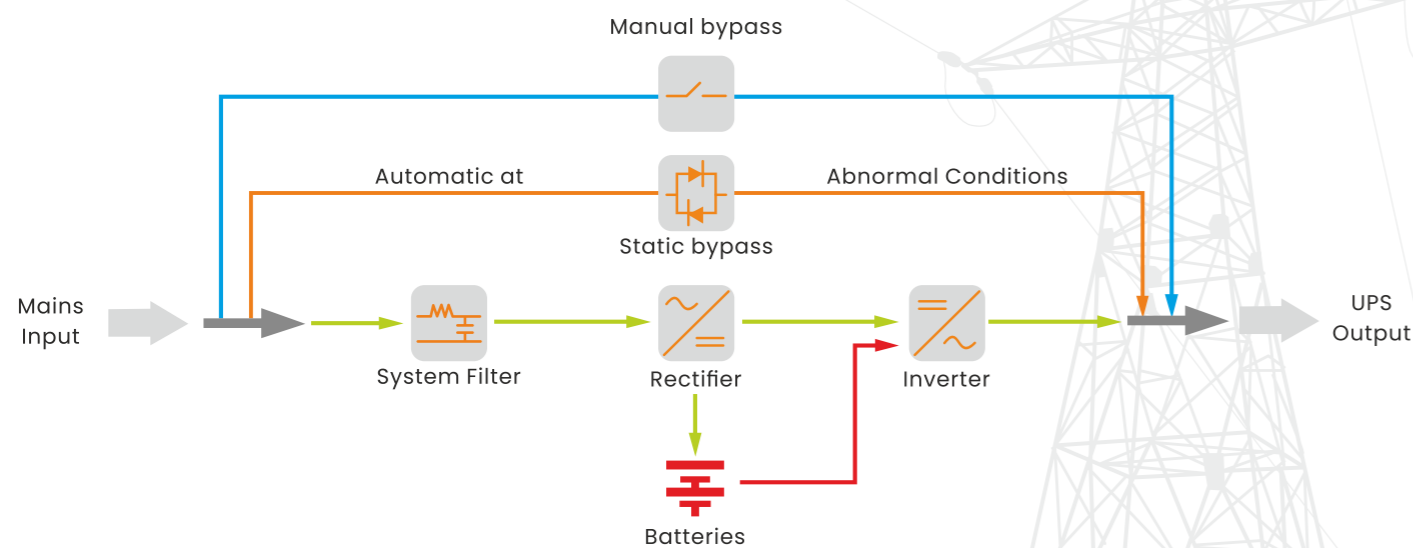
### 10kVA - 60kVA (3:3)

SAPT presents the **PowerXcel ENERGI Series**, a state-of-the-art power backup solution designed with a **built-in isolation transformer, SCR-based rectifier, and IGBT-based inverter.**

Engineered for **critical applications**, this UPS ensures **maximum reliability, superior power conditioning, and complete electrical isolation** to safeguard sensitive equipment.

### FEATURES

- True Online Double Conversion Technology
- Wide Input Voltage Range
- Compatible with Engine Generator
- LCD/LED Display
- IGBT Inverter with Multiloop Control
- Output Isolation Between UPS and Critical Load
- Wheel Deseign for easy movement and relocation
- Compact and Versatile Deseign



This diagram illustrates the working principle of an Online UPS, showcasing **AC input, Rectifier, Battery, Inverter, and Load Output** connections with **manual bypass**.

### SPECIFICATION

Capacity	kVA	10	15	20	30	40	50	60
	kW	8	12	16	24	32	40	48
	Type	Low Frequency Isolation Transformer Based						
Input	Phase	Three Phase (3P+N)						
	Input Voltage Range	415V AC $\pm$ 25%						
	Input Frequency	50Hz $\pm$ 5%						
	Input Ripple	<5%						
	Soft Start	0~100% 5 Second						
	Output	Nominal Voltage	380/400/415V AC, (3P+N)					
Regulation		$\pm$ 1% for Linear & Non-Linear Load						
Output Frequency		50Hz $\pm$ 0.5%						
Crest Factor		>3:1						
Power Factor		0.8						
Output THD		Linear Load < 3%, Non-Linear Load < 5%						
Efficiency		Up to 85% (Full Load)						
Batteries		DC Voltage	360-384 VDC (Selectable)					
	Number of Battery	30-32 (Selectable)						
	Charging Current	1-20 Amp (Settable)						
Bypass	Phase	Single Phase (3P+N)						
	Manual	Maintenance Bypass Switch Provided						
	Static	No Break (Optional)						
Protection	Input Protection	Input Voltage, Frequency Under/Over limit Protection						
	Output Protection	Over Current, Short-Circuit, Over/Under Voltage						
	Battery Protection	Over Charge, Over Discharge Protection						
	Temperature	Inverter Over Temperature Protection						
General Parameter	Working Environment	Temp: 10-55 $^{\circ}$ C, Relative Humidity : 30-90%						
	Display	LCD + Physical Button						
	Alarm	Low Battery, Abnormal AC Input, UPS Failure, etc.						
	Noise (dB)	<55						
	Dimensions (L*W*H)	690*386*719	689*387*756	779*412*1001	854*462*1261			
	Weight (kg)	122	152	160	214	272	330	351

### Applications



## SPECIFICATION

Capacity	kVA	10	15	20	30	40	50	60
	kW	8	12	16	24	32	40	48
	Type	Low Frequency Isolation Transformer Based						
Input	Phase	Three Phase (3P+N)						
	Input Voltage Range	415V AC $\pm$ 25%						
	Input Frequency	50Hz $\pm$ 5%						
	Power Factor	<b>&gt;0.95%</b>						
	Input Ripple	<5%						
Output	Soft Start	0-100% 5 Second						
	Nominal Voltage	380/400/415V AC, (3P+N)						
	Regulation	$\pm$ 1% for Linear & Non-Linear Load						
	Output Frequency	50Hz $\pm$ 0.5%						
	Crest Factor	>3:1						
	Power Factor	0.8						
	Output THD	Linear Load < 3%, Non-Linear Load < 5%						
	Efficiency	Up to >95% (Full Load)						
Batteries	DC Voltage	360-384 VDC (Selectable)						
	Number of Battery	30-32 (Selectable)						
	Charging Current	1-20 Amp (Settable) - Expandable to 40Amp						
Bypass	Phase	Single Phase (3P+N)						
	Manual	Maintenance Bypass Switch Provided						
	Static	No Break (Optional)						
Protection	Input Protection	Input Voltage, Frequency Under/Over limit Protection						
	Output Protection	Over Current, Short-Circuit, Over/Under Voltage						
	Battery Protection	Over Charge, Over Discharge Protection						
	Temperature	Inverter Over Temperature Protection						
General Parameter	Working Environment	Temp: 10-55° C, Relative Humidity : 30-90%						
	Display	LCD + Physical Button						
	Alarm	Low Battery, Abnormal AC Input, UPS Failure, etc.						
	Noise (dB)	<55						
	Dimensions (L*W*H)	690*386*719	689*387*756	850*412*1001	854*462*1261			
	Weight (kg)	122	151	160	214	272	330	351

Applications	Industrial	Process	Machines	Pharma	Printing	Textile
	Plastic	Chemical	Aerospace	Commercial	IT	Transport

## powerXcel ENERGIX

### 10kVA - 60kVA (3:3)

SAPT presents the **PowerXcel ENERGIX Series**, a cutting-edge **3-Phase Online UPS** featuring an **IGBT-based rectifier**, **IGBT-based inverter**, and a **built-in isolation transformer**.

Designed for **industrial, commercial, and mission-critical applications**, this UPS delivers **high efficiency, superior power quality, and complete electrical isolation**, ensuring **uninterrupted and reliable performance**.

Power factor affects electricity consumption by influencing the amount of current drawn from the grid. A low power factor increases current flow, leading to higher energy losses, overheating of equipment, and higher electricity bills.

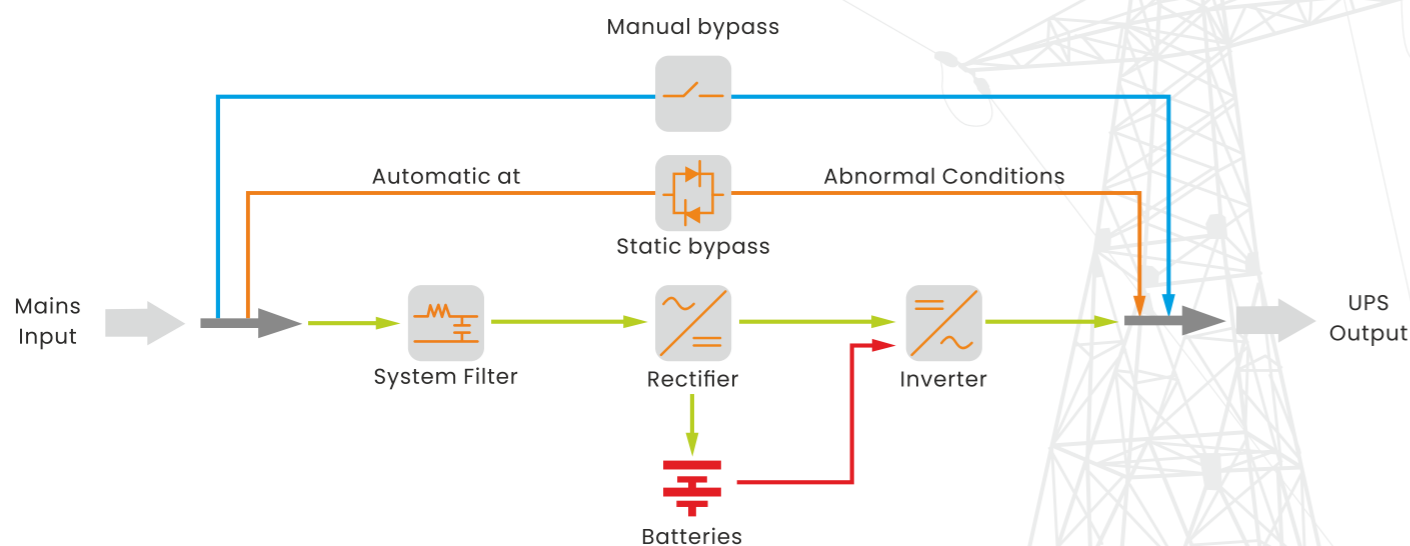
By improving power factor correction systems, energy losses can be minimized, electricity bills reduced, and overall power system efficiency enhanced.

## FEATURES

- True Online Double Conversion Technology
- Fully Digital Signal Processing using the latest DSP Technology
- PFC Based Rectifier
- Wide Input Voltage Range
- Compatible with Engine Generator
- LCD/LED Display
- IGBT Inverter with Multiloop Control
- Output Isolation Between UPS and Critical Load
- Wheel Desing for easy movement and relocation
- Compact and Versatile Desing



**Maximize your profit by 25-30%**



This diagram illustrates the working principle of an Online UPS, showcasing **AC input, Rectifier, Battery, Inverter, and Load Output** connections with **manual bypass and static bypass**.

# powerXcel XPERT

**80kVA - 300kVA (3:3)**

SAPT proudly presents the **PowerXcel XPERT Series**, a **high-performance, large-capacity Online UPS** featuring an **IGBT-based rectifier, IGBT-based inverter, and a built-in isolation transformer.**

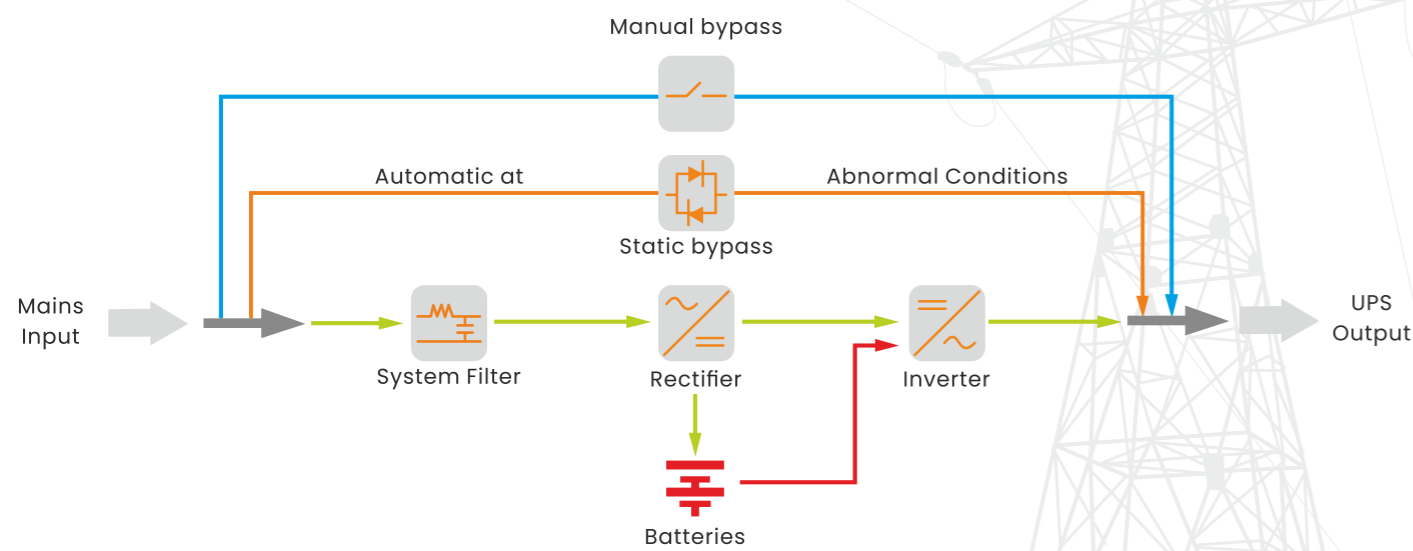
Engineered for **heavy industrial, commercial, and mission-critical applications**, this UPS ensures **maximum power reliability, superior efficiency, and complete electrical isolation**, making it the perfect choice for high-demand environments.

## FEATURES

- True Online Double Conversion Technology
- Fully Digital Signal Processing using the latest DSP Technology
- PFC Based Rectifier
- Wide Input Voltage Range
- Compatible with Engine Generator
- LCD/LED Display
- IGBT Inverter with Multiloop Control
- Output Isolation Between UPS and Critical Load
- Wheel Desing for easy movement and relocation
- Compact and Versatile Desing



**Maximize your profit by 25-30%**



This diagram illustrates the working principle of an Online UPS, showcasing **AC input, Rectifier, Battery, Inverter, and Load Output** connections with **manual bypass and static bypass**.

## SPECIFICATION


Capacity	kVA	80	100	120	160	200	300
	kW	64	80	96	128	160	240
	Type	Low Frequency Isolation Transformer Based					
Input	Phase	Three Phase (3P+N)					
	Input Voltage Range	415V AC ± 25%					
	Input Frequency	50Hz ± 5%					
	Power Factor	<b>&gt;0.95%</b>					
	Input Ripple	<5%					
	Soft Start	0~100% 5 Second					
Output	Nominal Voltage	380/400/415V AC, (3P+N)					
	Regulation	±1% for Linear & Non-Linear Load					
	Output Frequency	50Hz ± 0.5%					
	Crest Factor	>3:1					
	Power Factor	0.8					
	Output THD	Linear Load < 3%, Non-Linear Load < 5%					
	Efficiency	Up to >95% (Full Load)					
Batteries	DC Voltage	360-384 VDC (Selectable)					
	Number of Battery	30-32 (Selectable)					
	Charging Current	1-20 Amp (Settable) - Expandable to 40Amp					
Bypass	Phase	Single Phase (3P+N)					
	Manual	Maintenance Bypass Switch Provided					
	Static	No Break (Optional)					
Protection	Input Protection	Input Voltage, Frequency Under/Over limit Protection					
	Output Protection	Over Current, Short-Circuit, Over/Under Voltage					
	Battery Protection	Over Charge, Over Discharge Protection					
	Temperature	Inverter Over Temperature Protection					
General Parameter	Working Environment	Temp: 10-55° C, Relative Humidity : 30-90%					
	Display	LCD + Physical Button					
	Alarm	Low Battery, Abnormal AC Input, UPS Failure, etc.					
	Noise (dB)	<55					
	Dimensions (L*W*H)	954*712*1511			1016*1144*1656		
	Weight (kg)	502	600	777	850	1100	1250

### Applications

Industrial	Process	Machines	Pharma	Printing	Textile
Plastic	Chemical	Aerospace	Commercial	IT	Transport



 **CONNECT WITH US**

 68, Gangotri Estate, Nr. Ramol Overbridge,  
Phase 4, GIDC Vatwa, Ahmedabad-382445, Gujarat.

 [sales@saptpower.com](mailto:sales@saptpower.com)

 Chirag Vadaliya : +91 81416 60211

 Milan Anandpara : +91 94268 35656

 [www.saptpower.com](http://www.saptpower.com)



SCAN FOR WEBSITE

